

A

B

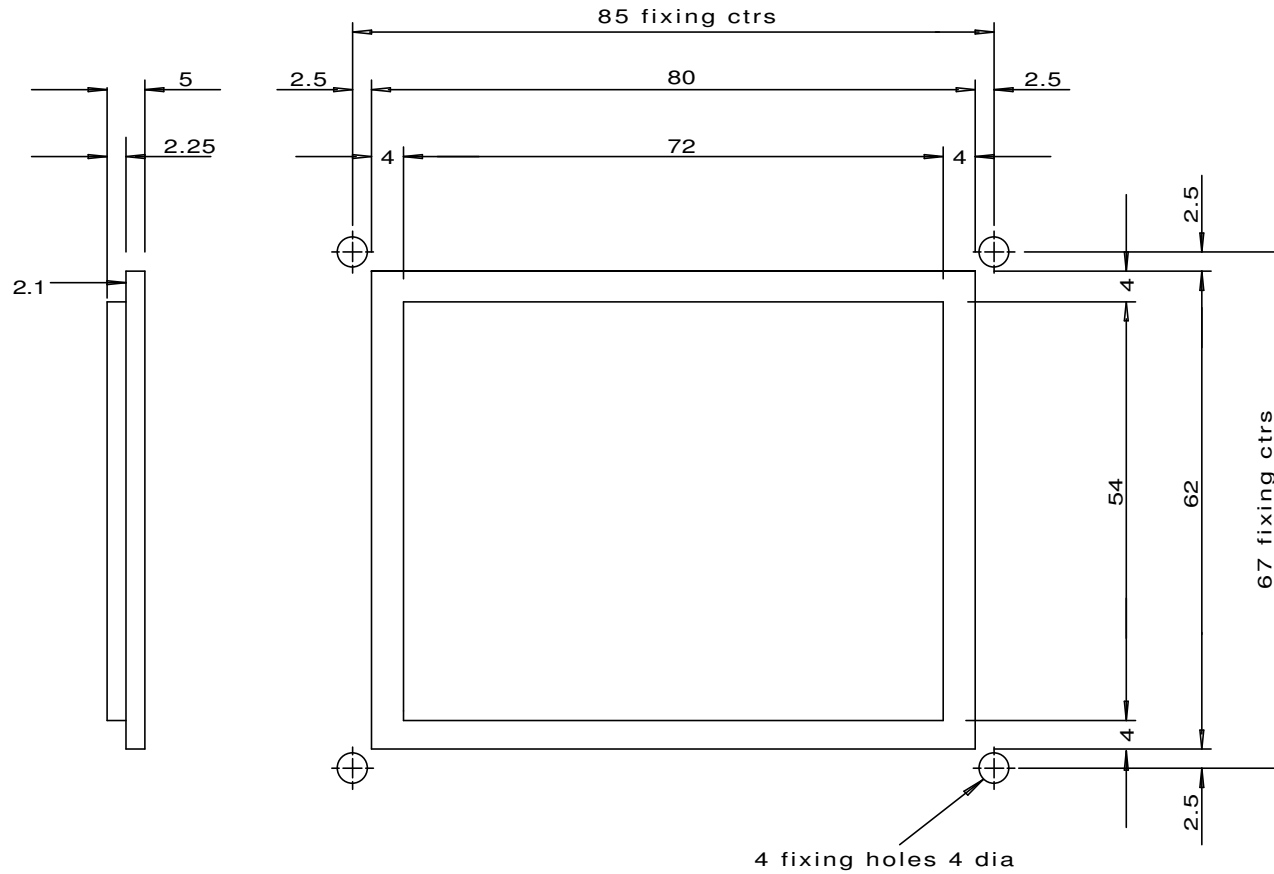
C

D

E

F

G



DATE: 08-01-09

PAGE TITLE

COMPANY:

DRAWING NO: LENS TFT 55

SITE REF:

PAGE NO:

LENS TFT 55

LC



LESTER CONTROL SYSTEMS LTD

Unit D, 18 Imperial Way  
Croydon, Surrey  
CR0 4RRTEL: 020 8288 0668  
FAX: 020 8288 0667

EMAIL: info@lestercontrols.co.uk

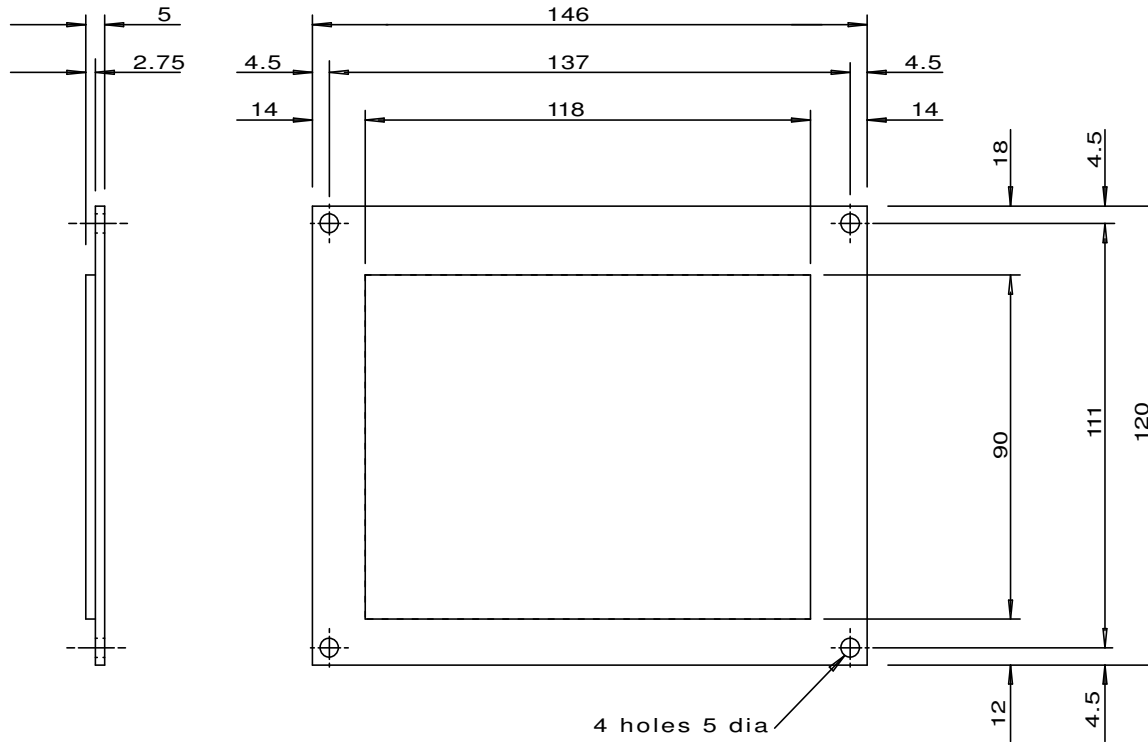
NOTES

Material:- Clear Perspex

Fixing Studs M3 x 20

Dimensions in mm

A B C D E F G



DATE:	08-01-09
COMPANY:	
DRAWING NO:	LENS TFT 120 x 90
SITE REF:	
PAGE NO:	

PAGE TITLE	
	LENS TFT 120 x 90
LC	



**LESTER CONTROL SYSTEMS LTD**  
 Unit D, 18 Imperial Way  
 Croydon, Surrey  
 CR0 4RR

TEL: 020 8288 0668  
 FAX: 020 8288 0667  
 EMAIL: info@lestercontrols.co.uk

NOTES	
	Material:- Clear Perspex Fixing Studs M4 x 30 Dimensions in mm